

SAIETTA

119/119R

SAIETTA



BRUSHED AXIAL FLUX DC MOTOR

Light, Compact, Power Dense and Ultra Efficient Electric Motor

DESIGN

Our range of brushed DC motors achieve efficiencies of 93% and are sector leading where high efficiency/power across a broad rpm range, compact size, light weight, high power-to-weight and affordability are critical.

Chief Scientist at **Saietta Group**, **Cedric Lynch** has changed the face of electric motor architecture and he continues to innovate and revolutionise, supported by an expert team of motor and controller experts.

FEATURES

- Highly Efficient
- Simple and Light Controller
- Lightweight and Compact
- No External Cooling
- High Continuous Power
- Low Maintenance
- High Power/Weight Ratio
- Competitively Priced

APPLICATIONS

Automotive (motorcycles, scooters, go-karts, rickshaws etc.)

Marine (speed boats, auxiliary power for sailing boats, bow thrusters, winches etc.)

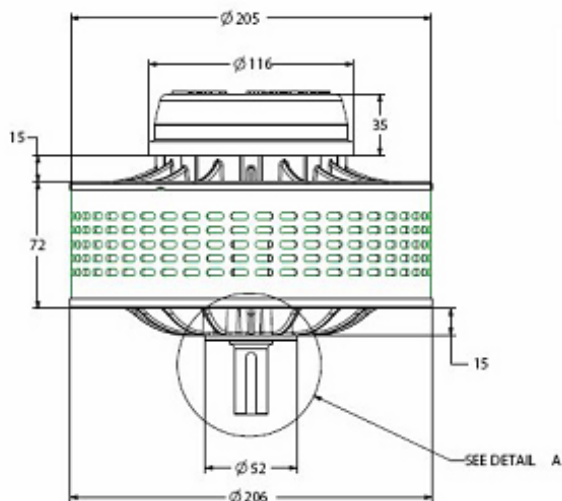
Industrial (water pumps, compressors, fork lift trucks, machine tools, generators etc.).

SAIETTA

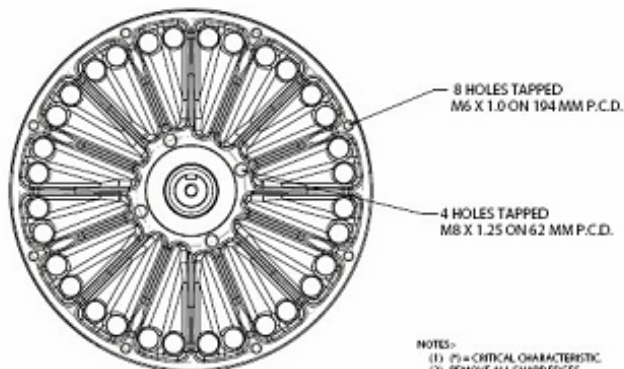
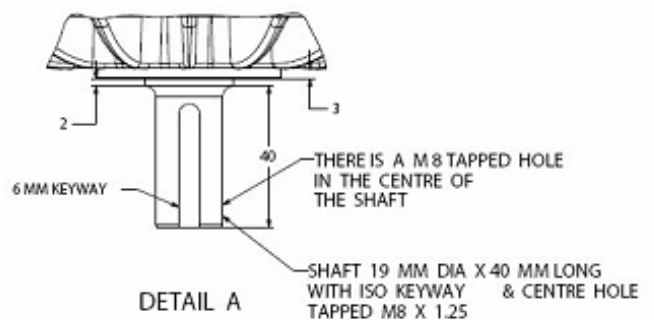
119/119R

Technical Specification

119R							
Voltage (V)	12	24	36	48	60	72	84
Cont. Current (A)	90	120	150	200	200	200	200
Torque (Nm)	15.1	20.2	25.3	33.9	33.7	33.5	33.4
Rpm	572	1199	1826	2431	3091	3751	4411
Power (KW)	0.9	2.5	4.8	8.6	10.9	13.2	15.4
Peak Power @400A (kW)	1.7	6.4	11.1	15.9	20.6	25.2	30.0
Peak Torque @400A (Nm)	68.7						



119 / 119R MOTOR



NOTES:-
 (1) \varnothing = CRITICAL CHARACTERISTIC.
 (2) REMOVE ALL SHARP EDGES.
 (3) ALL DIMENSIONS ARE IN mm.

Weight: 11kg

SAIETTA