

SAIETTA

95/95R

SAIETTA



## BRUSHED AXIAL FLUX DC MOTOR

Light, Compact, Power Dense and Ultra Efficient Electric Motor

### DESIGN

Our range of brushed DC motors achieve efficiencies of 93% and are sector leading where high efficiency/power across a broad rpm range, compact size, light weight, high power-to-weight and affordability are critical.

Chief Scientist at **Saietta Group**, **Cedric Lynch** has changed the face of electric motor architecture and he continues to innovate and revolutionise, supported by an expert team of motor and controller experts.

### FEATURES

- Highly Efficient
- Simple and Light Controller
- Lightweight and Compact
- No External Cooling
- High Continuous Power
- Low Maintenance
- High Power/Weight Ratio
- Competitively Priced

### APPLICATIONS

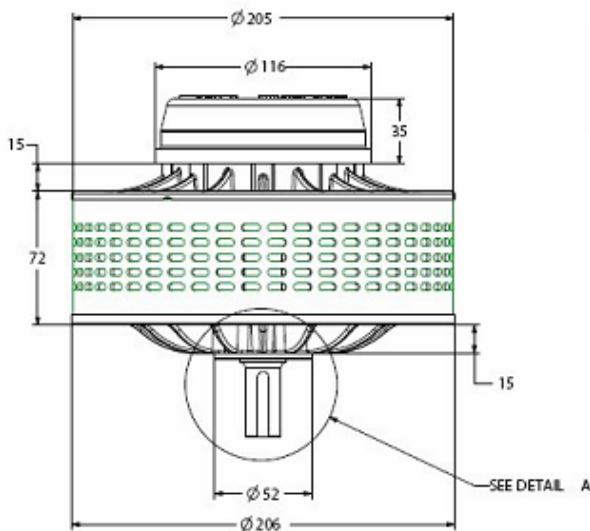
**Automotive** (motorcycles, scooters, go-karts, rickshaws etc.)

**Marine** (speed boats, auxiliary power for sailing boats, bow thrusters, winches etc.)

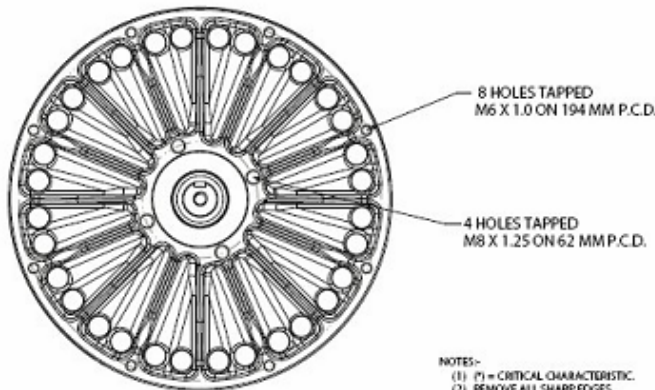
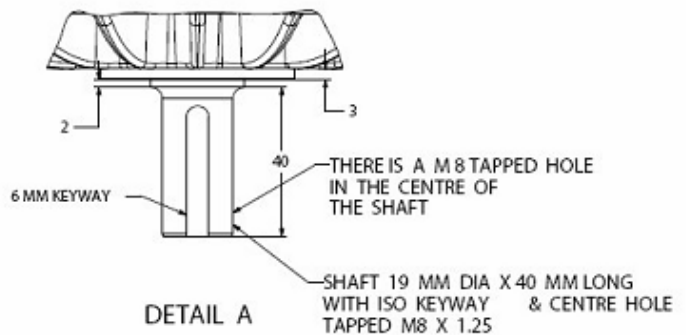
**Industrial** (water pumps, compressors, fork lift trucks, machine tools, generators etc.).

# Technical Specification

	<b>95R</b>			
<b>Voltage (V)</b>	<b>12</b>	<b>24</b>	<b>36</b>	<b>48</b>
<b>Cont. Current (A)</b>	120	140	180	230
<b>Torque (Nm)</b>	15.7	18.2	23.5	30.0
<b>Rpm</b>	760	1600	2410	3220
<b>Power (kW)</b>	1.2	3.0	5.9	10.1
<b>Peak Power @400A (kW)</b>	2.9	7.6	12.4	17.0
<b>Peak Torque@400A (Nm)</b>	53			



## 95 / 95R MOTOR



NOTES-  
 (1) P1 = CRITICAL CHARACTERISTIC.  
 (2) REMOVE ALL SHARP EDGES.  
 (3) ALL DIMENSIONS ARE IN mm.

Weight: 11kg